

- Supplied with epoxy coated mounting bracket
- Compact size
- Low weight
- Good resistance to hostile environments
- Easily removable metal bowl



**Figure 1.** Series All, A12 & A13 Filter Regulators

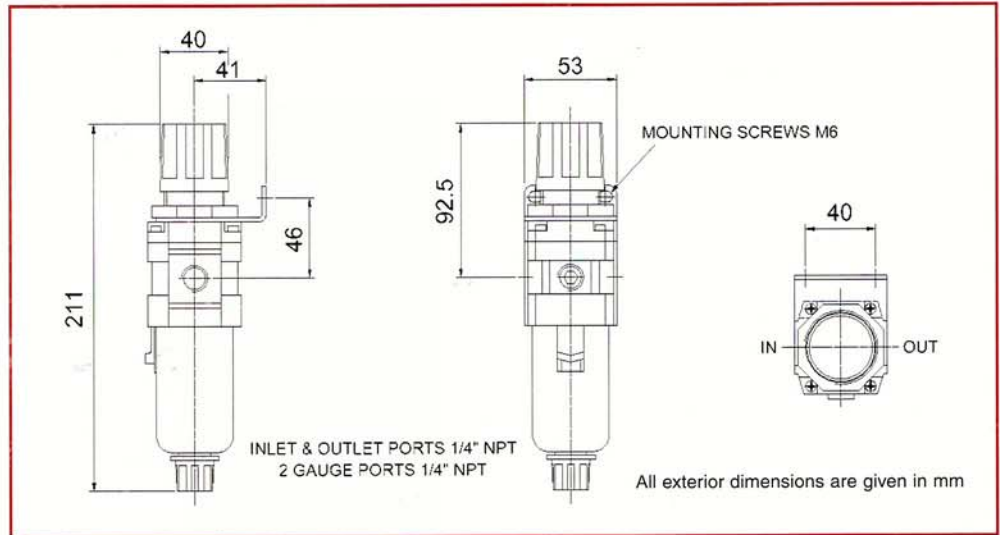
## Technical Specification

Model	All	A12	A13
Port Size	1/4" NPTF	1/2" NPTF	1" NPTF
Flow Rate (Normal Litres per Min)	2000*	5500*	8000*
Max Supply Pressure (Bar)	15	15	15
Max Operating Pressure (Bar)	10	10	10
Pressure Regulating Range (Bar)	0-4 / 0-8.5	0-4 / 0-8.5	0-4 / 0-8.5
Port Size for Pressure Gauge	1/4" NPTF	1/4" NPTF	1/4" NPTF
Ambient & Media Temperature	5 – 60°C	5 – 60°C	5 – 60°C
Filtration	5 Micron standard	5 Micron standard	5 Micron standard
Bowl Capacity	20	20	20
Body/Bowl Material	Epoxy Coated	Epoxy Coated	Epoxy Coated
Construction/Regulator	Aluminium Relieving Type	Aluminium Relieving Type	Aluminium Relieving Type
Drain	Manual	Manual	Manual

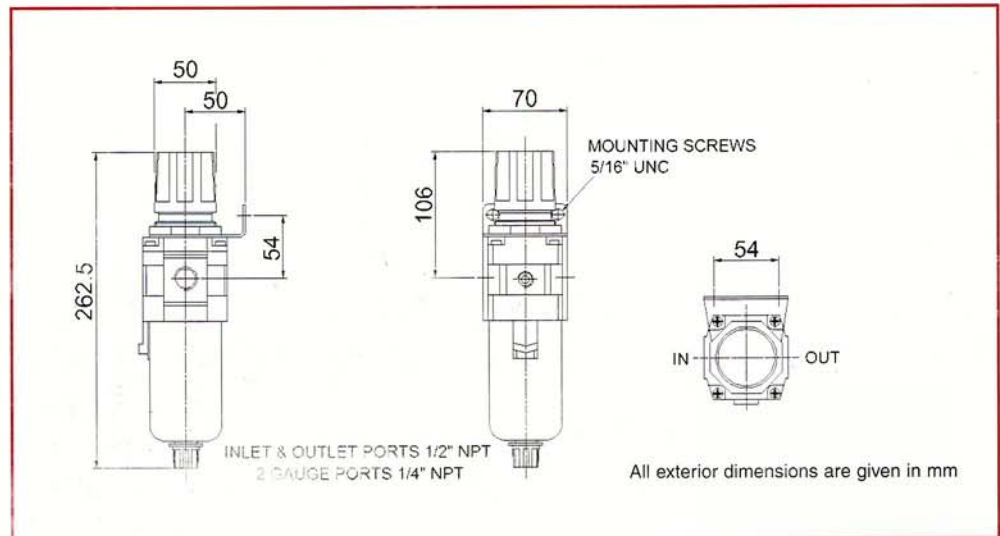
\*7 Bar Supply, 5 Bar Static Set Pressure, 1 Bar Pressure Drop



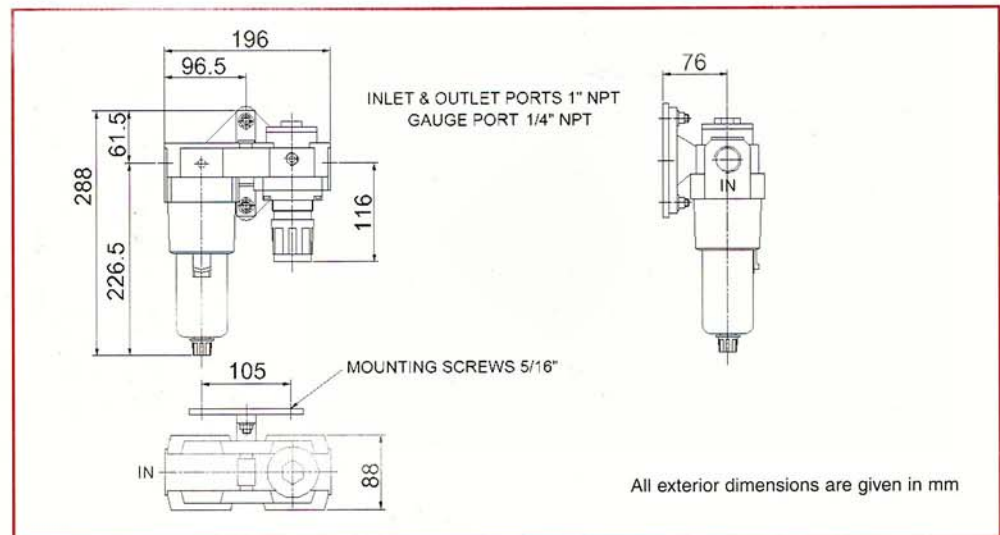
**Figure 2.  
Dimensions All**



**Figure 3.  
Dimensions A12**



**Figure 4.  
Dimensions A13**



The company's policy is one of continuous product improvement and the right is reserved to modify the specifications contained herein without notice.

